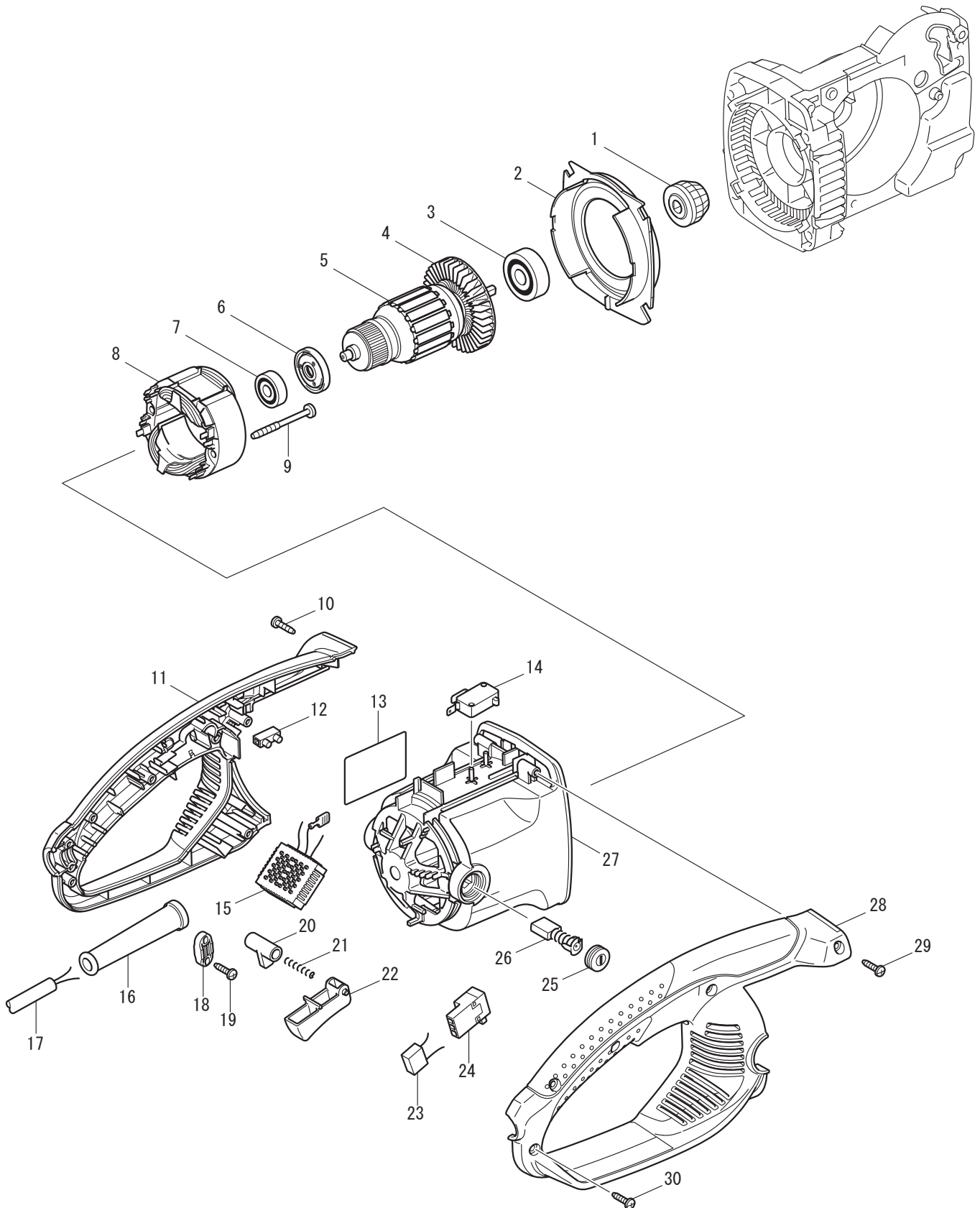
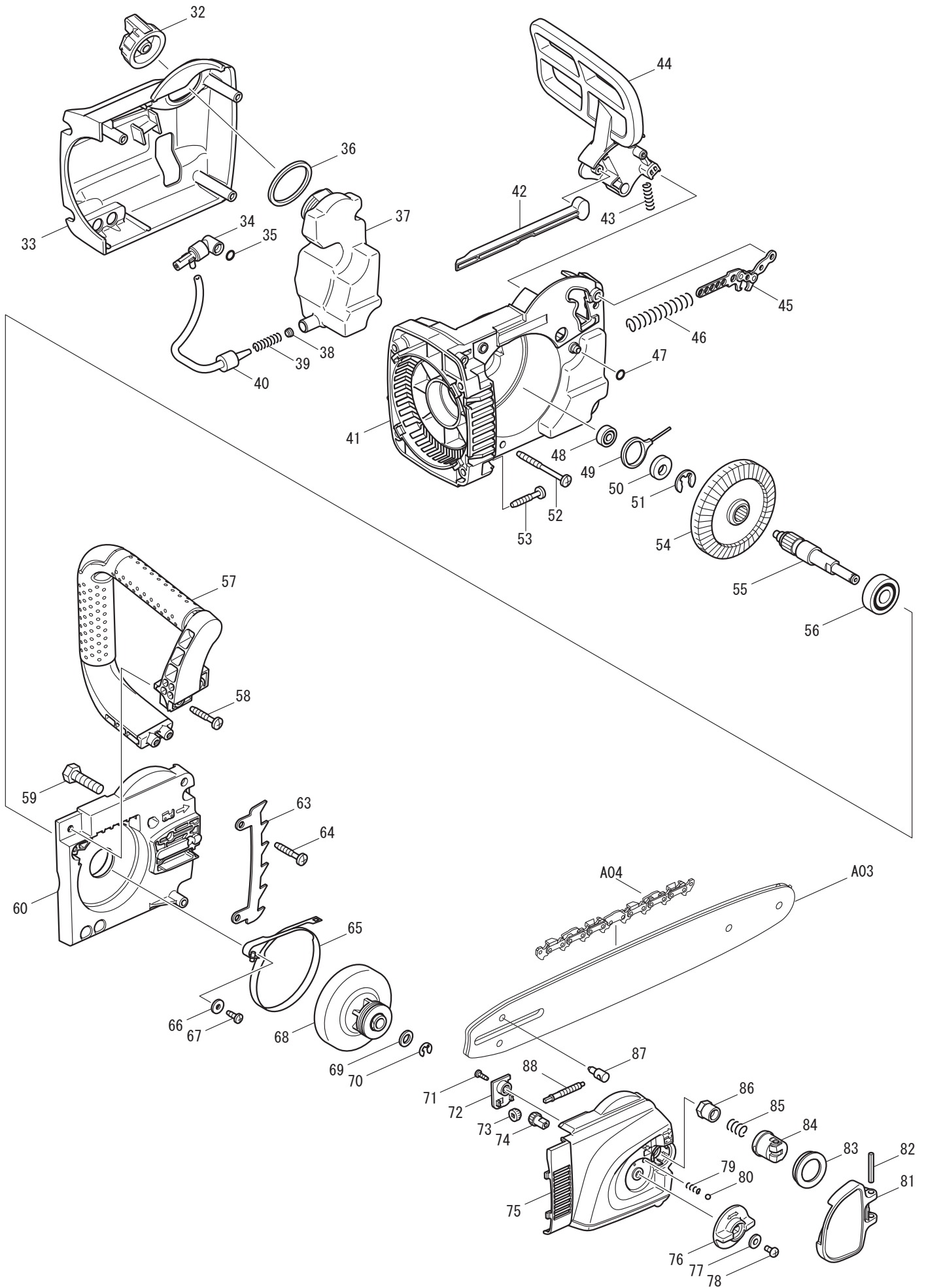




04 - 2010
UC4030A (MCC)
15.0A CHAIN 16" 3/8"





| Item No. | Part No. | Description | Qty | Unit |
|----------|---------------|------------------------------|-----|------|
| 1 | 226743-8 | STRAIGHT BEVEL GEAR 14 | 1 | PC. |
| 2 | 419410-4 | BAFFLE PLATE | 1 | PC. |
| 3 | 211111-8 | BALL BEARING 6301LLB | 1 | PC. |
| 4 | 240001-8 | FAN 80 | 1 | PC. |
| 5 | 616966-0 | ARMATURE 115V | 1 | PC. |
| 6 | 681666-1 | RESIN WASHER | 1 | PC. |
| 7 | 210081-8 | BALL BEARING 629ZZ | 1 | PC. |
| 8 | 639532-6 | FIELD 115V | 1 | PC. |
| 9 | 266095-5 | TAPPING SCREW 5X55 | 2 | PC. |
| 10 | 265995-6 | TAPPING SCREW 4X18 | 1 | PC. |
| 11 | 188820-3 | HANDLE SET | 1 | SET |
| | INC. 810199-1 | CAUTION LABEL | 1 | PC. |
| 13 | 867113-8 | UC4030A NAME PLATE | 1 | PC. |
| 14 | 650577-1 | SWITCH SD-006-BB2AA-AA | 1 | PC. |
| 15 | 631720-1 | CONTROLLER | 1 | PC. |
| 16 | 682574-9 | CORD GUARD 10-90 | 1 | PC. |
| 17 | 664980-0 | POWER SUPPLY CORD #14-2-0.3 | 1 | PC. |
| 18 | 687124-5 | STRAIN RELIEF | 1 | PC. |
| 19 | 265995-6 | TAPPING SCREW 4X18 | 2 | PC. |
| 20 | 416178-3 | LOCK-OFF BUTTON | 1 | PC. |
| 21 | 233173-6 | COMPRESSION SPRING 4 | 1 | PC. |
| 22 | 419411-2 | SWITCH LEVER | 1 | PC. |
| 24 | 651923-1 | SWITCH TG70B SINGLE W/O LOCK | 1 | PC. |
| 25 | 643650-4 | BRUSH HOLDER CAP 6.5-13.5 | 2 | PC. |
| 26 | 194986-9 | CARBON BRUSH CB-153 | 1 | SET |
| 27 | 154867-9 | MOTOR HOUSING COMPLETE | 1 | PC. |
| | INC. 643653-8 | BRUSH HOLDER 6.5-13.5 | 2 | PC. |
| 28 | 188820-3 | HANDLE SET | 1 | SET |
| | INC. 810199-1 | CAUTION LABEL | 1 | PC. |
| 29 | 265995-6 | TAPPING SCREW 4X18 | 1 | PC. |
| 30 | 265995-6 | TAPPING SCREW 4X18 | 5 | PC. |
| 32 | 154870-0 | TANK CAP COMPLETE | 1 | PC. |
| 33 | 158050-0 | GEAR HOUSING COVER COMPLETE | 1 | PC. |
| | INC. 810891-9 | CAUTION LABEL | 1 | PC. |
| 34 | 1 140089-7 | OIL PUMP COMPLETE | 1 | PC. |
| | 2 142002-1 | OIL PUMP COMPLETE | 1 | PC. |
| 35 | 213039-6 | O RING 6 | 1 | PC. |
| 36 | 421959-2 | SPONGE SEAL | 1 | PC. |
| 37 | 419407-3 | OIL TANK | 1 | PC. |
| 38 | 416274-7 | CAP | 1 | PC. |
| 39 | 231975-4 | SPRING | 1 | PC. |
| 40 | 421958-4 | OIL TUBE | 1 | PC. |
| 41 | 419408-1 | GEAR HOUSING | 1 | PC. |
| 42 | 419413-8 | ROD | 1 | PC. |
| 43 | 233174-4 | COMPRESSION SPRING 6 | 1 | PC. |
| 44 | 451130-4 | FRONT HAND GUARD | 1 | PC. |
| 45 | 158044-5 | LINK PLATE COMPLETE | 1 | PC. |
| 46 | 234005-0 | COMPRESSION SPRING 9 | 1 | PC. |
| 47 | 213039-6 | O RING 6 | 1 | PC. |
| 48 | 211012-0 | BALL BEARING 606ZZ | 1 | PC. |
| 49 | 450230-7 | CRANK | 1 | PC. |
| 50 | 417405-1 | CAM | 1 | PC. |
| 51 | 259034-2 | RETAINING RING E TYPE 10 | 1 | PC. |
| 52 | 266095-5 | TAPPING SCREW 5X55 | 2 | PC. |
| 53 | 266173-1 | TAPPING SCREW 5X30 | 4 | PC. |
| 54 | 226741-2 | STRAIGHT BEVEL GEAR 43 | 1 | PC. |
| 55 | 324662-3 | SPINDLE | 1 | PC. |

| Item No. | Part No. | Description | Qty | Unit | |
|---------------------------|----------|---------------------------------|---|------|-----|
| 56 | 211107-9 | BALL BEARING 6201ZZ | 1 | PC. | |
| 57 | 419409-9 | FRONT HANDLE | 1 | PC. | |
| 58 | 266173-1 | TAPPING SCREW 5X30 | 2 | PC. | |
| 59 | 921452-1 | HEX. BOLT M8X30 | 1 | PC. | |
| 60 | 318013-0 | BEARING HOUSING | 1 | PC. | |
| 63 | 345651-5 | SPIKE BUMPER | 1 | PC. | |
| 64 | 266173-1 | TAPPING SCREW 5X30 | 2 | PC. | |
| 65 | 168426-3 | BRAKE BAND | 1 | PC. | |
| 66 | 267195-4 | FLAT WASHER 4 | 1 | PC. | |
| 67 | 266026-4 | TAPPING SCREW BIND CT 4X12 | 1 | PC. | |
| 68 | 125331-7 | BRAKE DRUM ASSEMBLY | 1 | PC. | |
| 69 | 253215-0 | FLAT WASHER 8 | 1 | PC. | |
| 70 | 259033-4 | RETAINING RING E TYPE 6 | 1 | PC. | |
| 71 | 266007-8 | TAPPING SCREW BIND PT 3X10 | 1 | PC. | |
| 72 | 419241-1 | COVER | 1 | PC. | |
| 73 | 227496-2 | STRAIGHT BEVEL GEAR 14 | 1 | PC. | |
| 74 | 227495-4 | STRAIGHT BEVEL GEAR 14 | 1 | PC. | |
| 75 | 154869-5 | SPROCKET COVER COMPLETE | 1 | PC. | |
| 76 | 419233-0 | DIAL 40 | 1 | PC. | |
| 77 | 253874-0 | FLAT WASHER 4 | 1 | PC. | |
| 78 | 915106-0 | BINDING HEAD SCREW M4X8 | 1 | PC. | |
| 79 | 233033-2 | COMPRESSION SPRING 4 | 1 | PC. | |
| 80 | 216008-6 | STEEL BALL 4 | 1 | PC. | |
| 81 | 154763-1 | LEVER COMPLETE | 1 | PC. | |
| 82 | 951122-8 | SPRING PIN 4-28 | 1 | PC. | |
| 83 | 419271-2 | CUP WASHER 20 | 1 | PC. | |
| 84 | 317977-5 | LEVER HOLDER | 1 | PC. | |
| 85 | 231025-5 | COMPRESSION SPRING 8 | 1 | PC. | |
| 86 | 252168-0 | HEX. NUT M8-13 | 1 | PC. | |
| 87 | 324621-7 | ADJUST PIN | 1 | PC. | |
| 88 | 324620-9 | ADJUST SCREW | 1 | PC. | |
| 89 | 188858-8 | * SPROCKET COVER SET | 1 | PC. | |
| | INC. | Item No. 71-88 | | | |
| 90 | 188859-6 | * LEVER COMPLETE SET | 1 | PC. | |
| | INC. | Item No. 81-84 | | | |
| 91 | 1 | 188929-1 | * OIL PUMP ASSY (Added) | 1 | PC. |
| | 1 | INC. | Item No. 34, 35, 49 | | |
| | 2 | 187573-1 | OIL PUMP ASSY | 1 | PC. |
| | 2 | INC. | Item No. 34, 35, 49 | | |
| 100 | 810276-9 | CAUTION LABEL | 1 | PC. | |
| <u>ACCESSORIES</u> | | | | | |
| A01 | 419242-9 | CHAIN COVER F/16" | 1 | PC. | |
| A02 | 158024-1 | HOOK COMPLETE(PARTS) | 1 | PC. | |
| A03 | 165202-6 | 16" SPROCKET GUIDE BAR 3/8" 50G | 1 | PC. | |
| A04 | 1 | 528 092 656 | 3/8" LOW VIBRATION CHAIN 16" 50G 56LINK | 1 | PC. |